

4

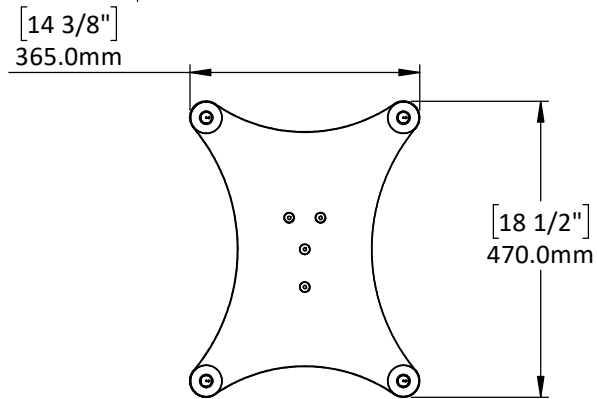
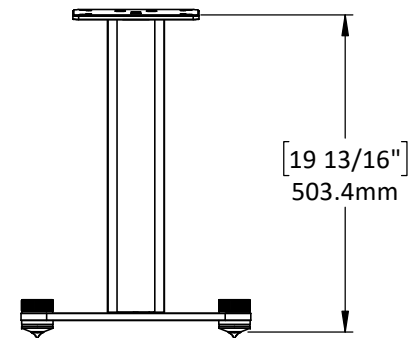
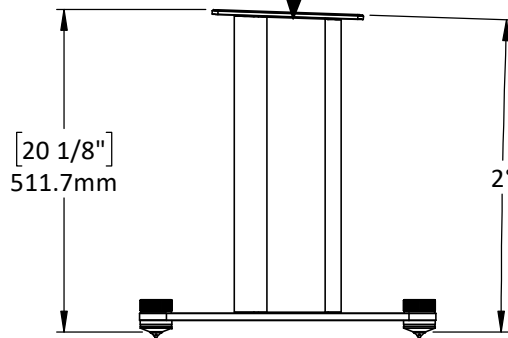
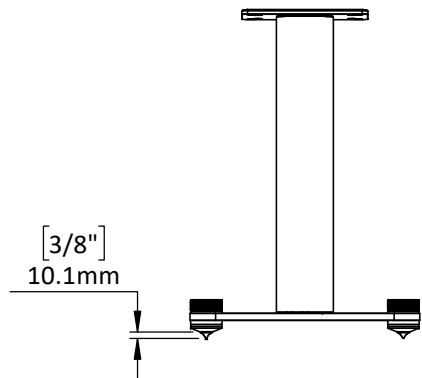
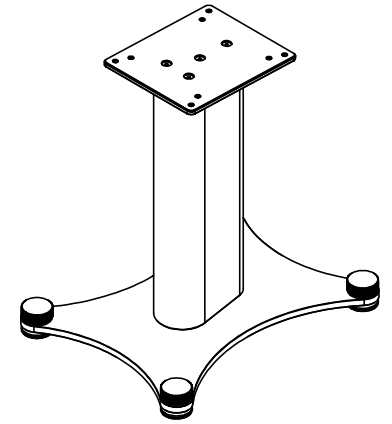
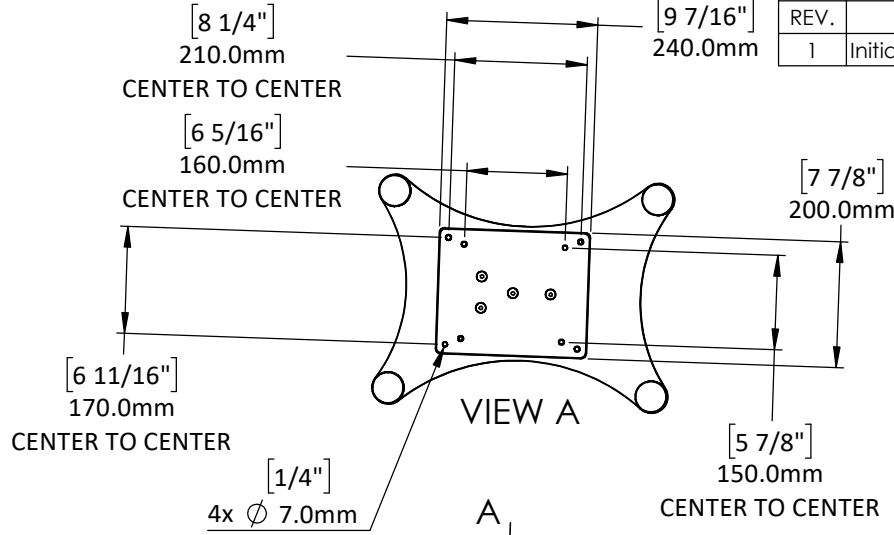
3

2

1

REVISIONS

REV.	DESCRIPTION	DATE
1	Initial Release	11/9/2021



Notes: HIGH GLOSS BLACK

**PROPRIETARY AND CONFIDENTIAL**  
 THE INFORMATION CONTAINED IN THIS DRAWING IS THE SOLE PROPERTY OF PERLISTEN AUDIO, LLC. ANY REPRODUCTION IN PART OR AS A WHOLE WITHOUT THE WRITTEN PERMISSION OF PERLISTEN AUDIO, LLC IS PROHIBITED.

NAME	DATE	
SIZE <b>A</b>	DWG. NO. <b>SSLR-HGB_Architectural</b>	REV <b>1</b>
SCALE: 1:12	SHEET 1 OF 1	

2

1