

SONANCE

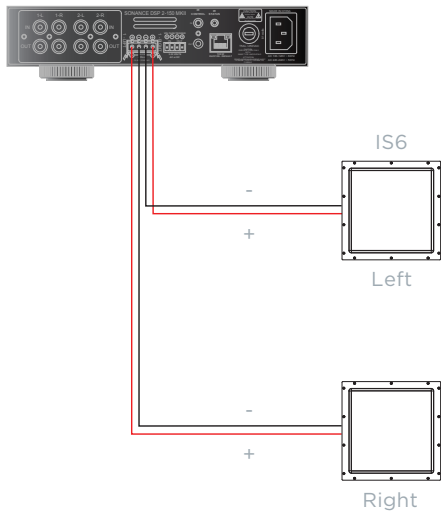
INVISIBLE SERIES

SUGGESTED CONFIGURATIONS FOR DISTRIBUTED AUDIO

GOOD

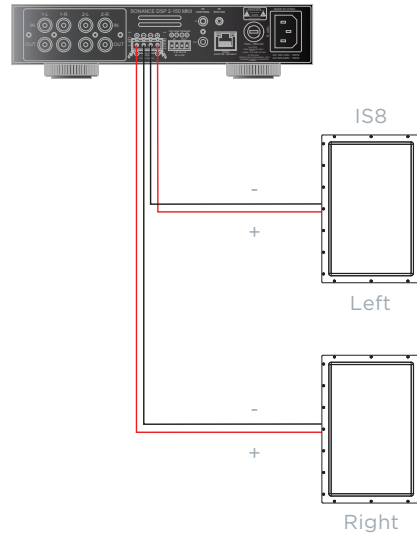
IS6

DSP 2-150 MKII



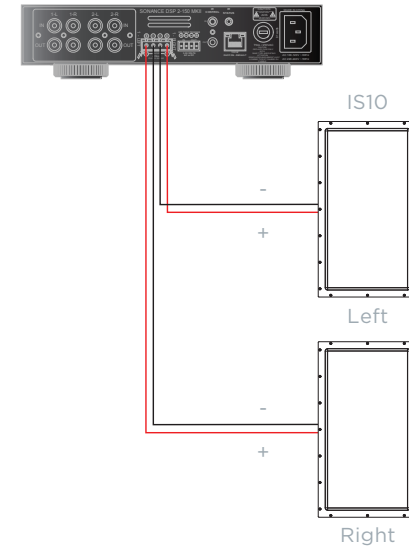
IS8

DSP 2-150 MKII



IS10

DSP 2-150 MKII



SONANCE

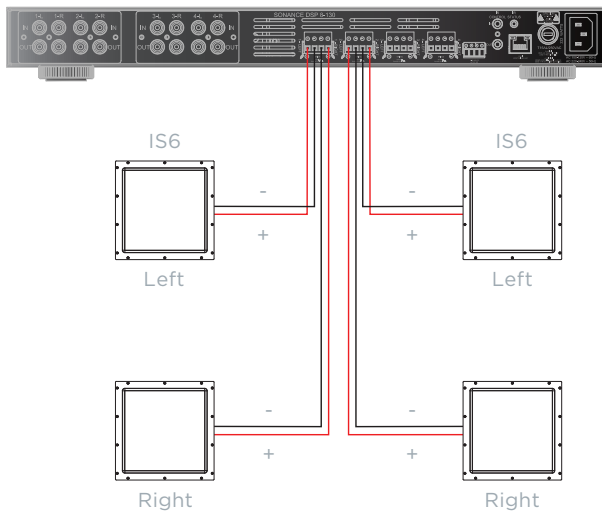
INVISIBLE SERIES

SUGGESTED CONFIGURATIONS FOR DISTRIBUTED AUDIO

BETTER

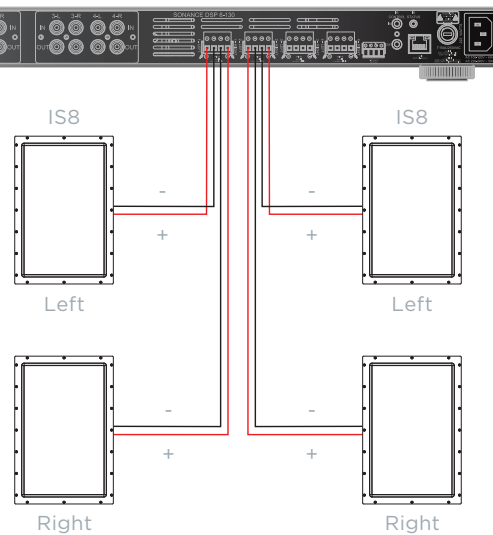
IS6

DSP 8-130 MKII



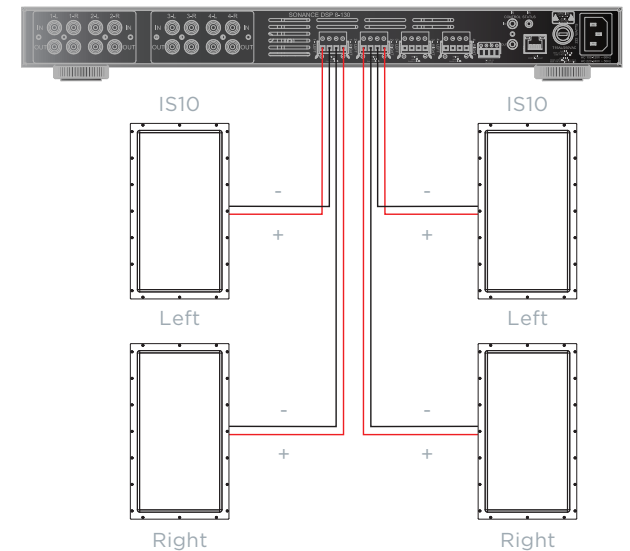
IS8

DSP 8-130 MKII



IS10

DSP 8-130 MKII



SONANCE

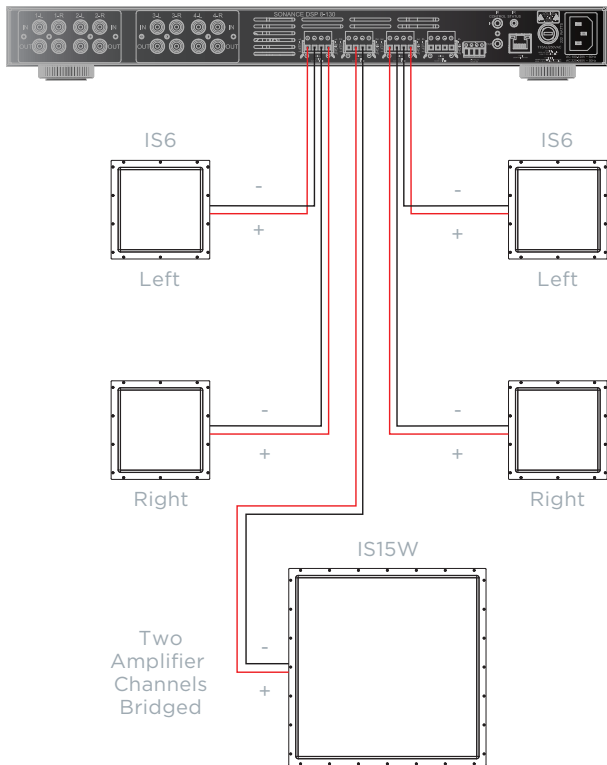
INVISIBLE SERIES

SUGGESTED CONFIGURATIONS FOR DISTRIBUTED AUDIO

BEST

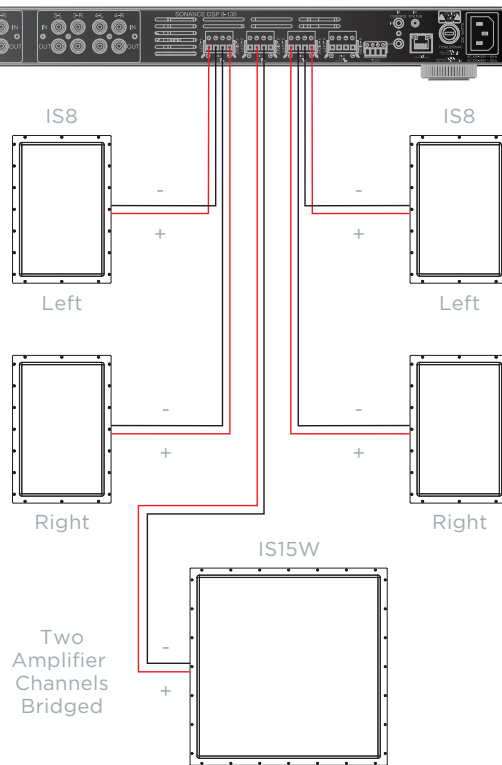
IS6

DSP 8-130 MKII



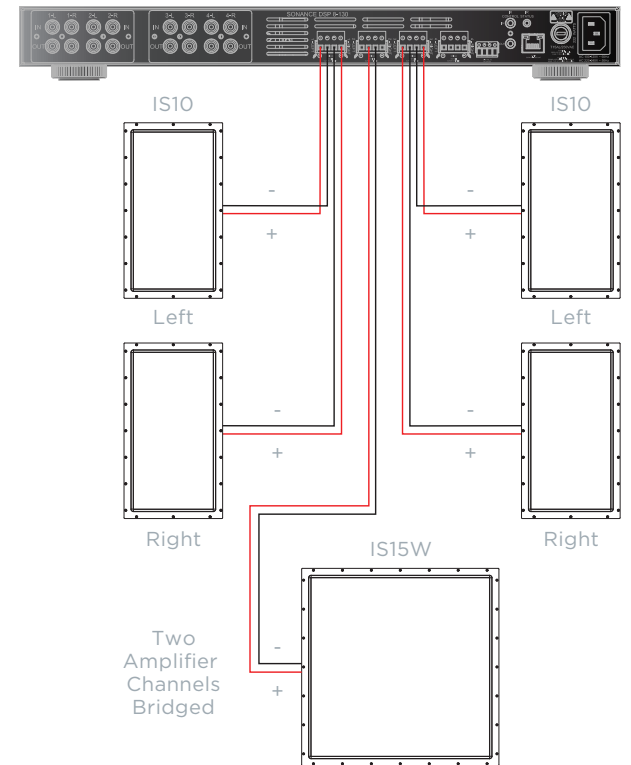
IS8

DSP 8-130 MKII



IS10

DSP 8-130 MKII



SONANCE

INVISIBLE SERIES

SUGGESTED CONFIGURATIONS FOR SURROUND SOUND

GOOD

IS6 SYSTEM

LCR

IS6 Set Amplifier, AVR, or Processor
High Pass Filter to 100Hz

SUB

IS10W (1 pair) with DSP2-150

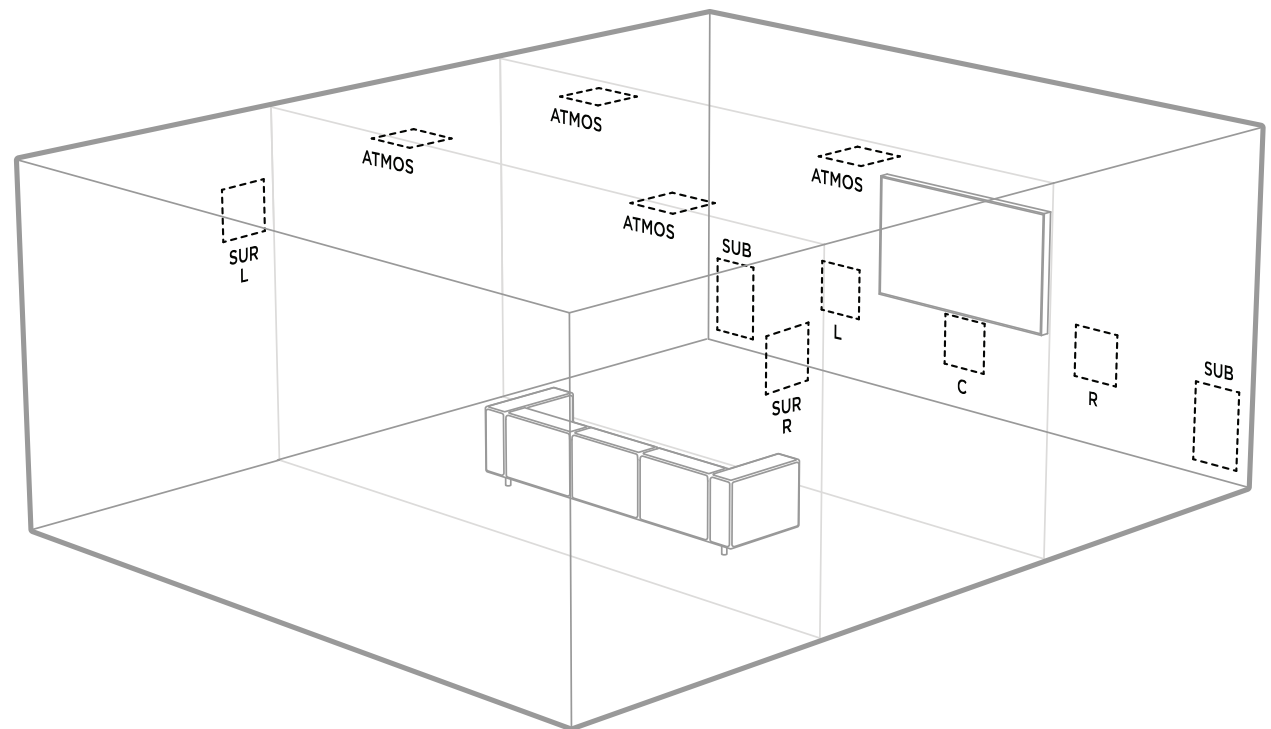
SURROUND SPEAKER OPTIONS:

SUR

IS6 Set Amplifier, AVR, or Processor
High Pass Filter to 100Hz

ATMOS

IS6 Set Amplifier, AVR, or Processor
High Pass Filter to 100Hz



SONANCE

INVISIBLE SERIES

SUGGESTED CONFIGURATIONS FOR SURROUND SOUND

BETTER

IS8 SYSTEM

LCR

IS8 Set Amplifier, AVR, or Processor
High Pass Filter to 80Hz

SUB

IS15W One or more with DSP2-750

SURROUND SPEAKER OPTIONS:

SUR

IS6 Set Amplifier, AVR, or Processor
High Pass Filter to 100Hz

SUR

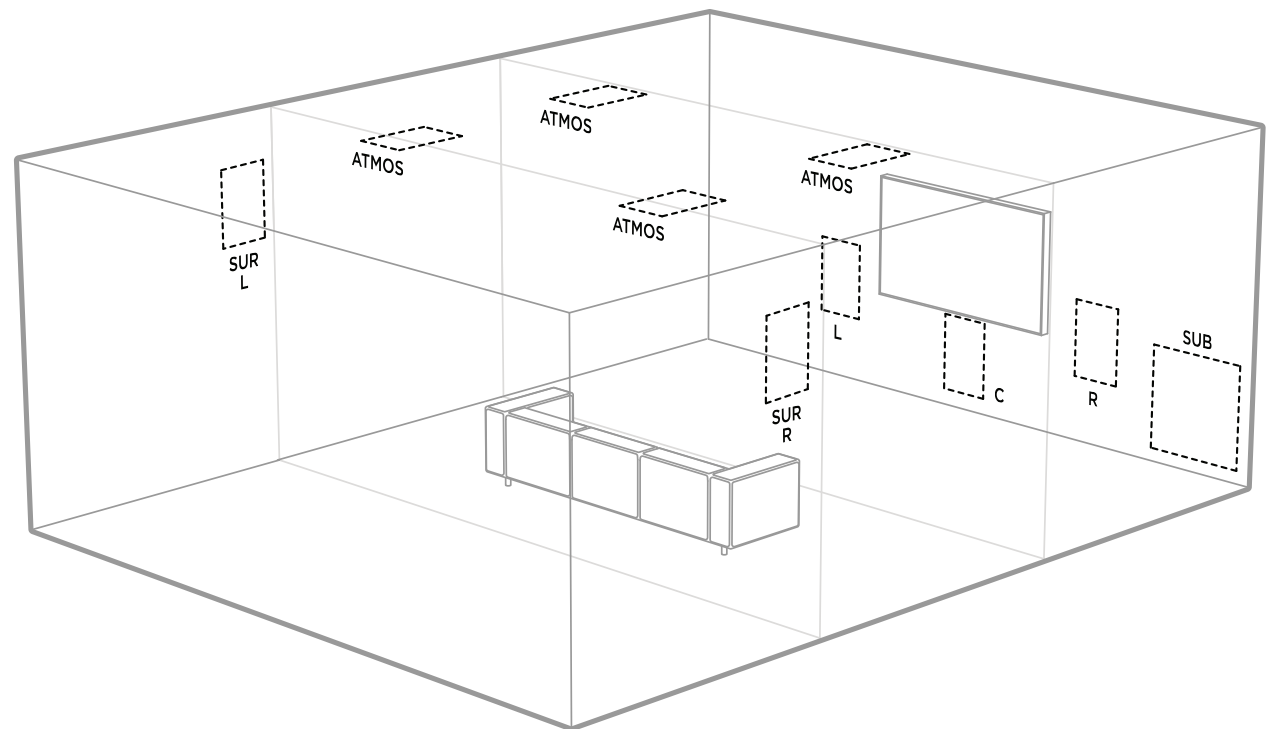
IS8 Set Amplifier, AVR, or Processor
High Pass Filter to 80Hz

ATMOS

IS6 Set Amplifier, AVR, or Processor
High Pass Filter to 100Hz

ATMOS

IS8 Set Amplifier, AVR, or Processor
High Pass Filter to 80Hz



NOTE: Center channel can be oriented horizontally for space savings. Place tweeter on center line of room for best performance. Custom framing required due to >16" speaker width.

NOTE: Invisible Series speakers in the SUR position should be placed at ear level height relative to the listening position. Since this elevates the speaker a bit, we suggest installing the SUR speakers upside down to ensure the tweeter/midrange is positioned closest to ear level.

SONANCE

INVISIBLE SERIES

SUGGESTED CONFIGURATIONS FOR SURROUND SOUND

BEST

IS10 SYSTEM

LCR

IS10 Set Amplifier, AVR, or Processor
High Pass Filter to 80Hz

SUB

IS15W Two or more with DSP2-750

SURROUND SPEAKER OPTIONS:

SUR

IS8 Set Amplifier, AVR, or Processor
High Pass Filter to 80Hz

SUR

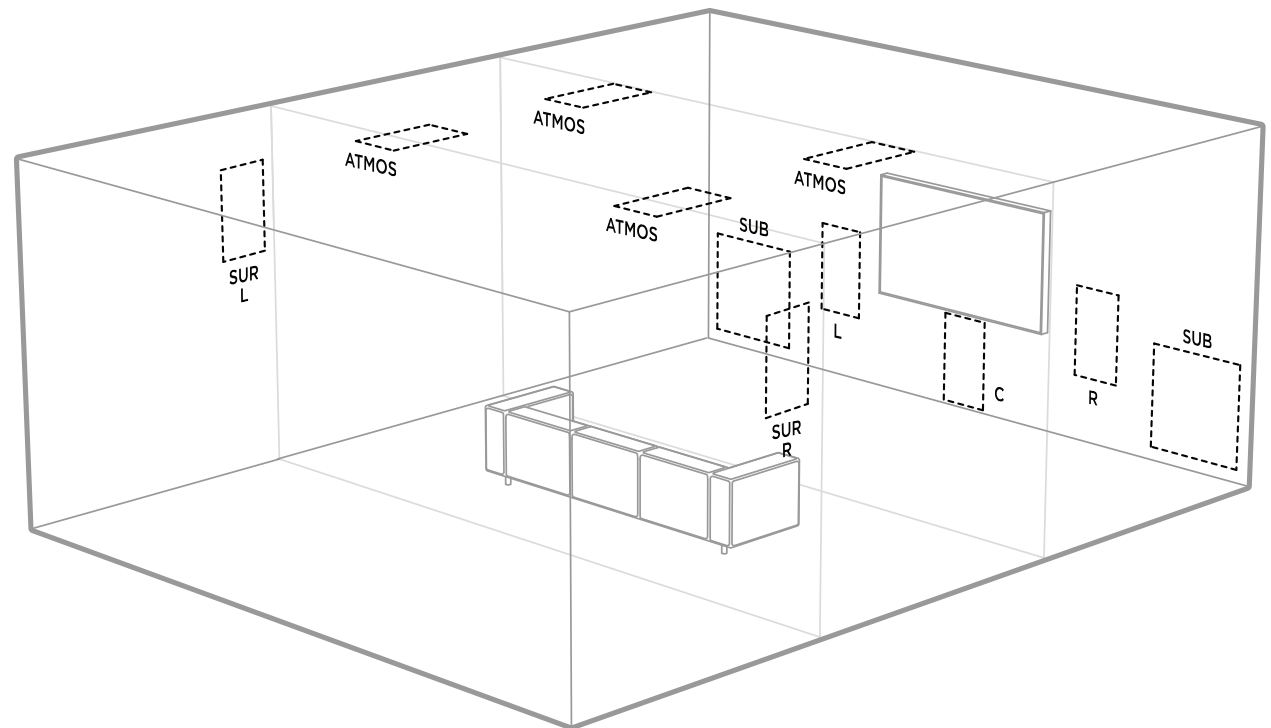
IS10 Set Amplifier, AVR, or Processor
High Pass Filter to 80Hz

ATMOS

IS8 Set Amplifier, AVR, or Processor
High Pass Filter to 80Hz

ATMOS

IS10 Set Amplifier, AVR, or Processor
High Pass Filter to 80Hz



NOTE: Center channel can be oriented horizontally for space savings. Place tweeter on center line of room for best performance. Custom framing required due to >16" speaker width.

NOTE: Invisible Series speakers in the SUR position should be placed at ear level height relative to the listening position. Since this elevates the speaker a bit, we suggest installing the SUR speakers upside down to ensure the tweeter/midrange is positioned closest to ear level.