

SONANCE

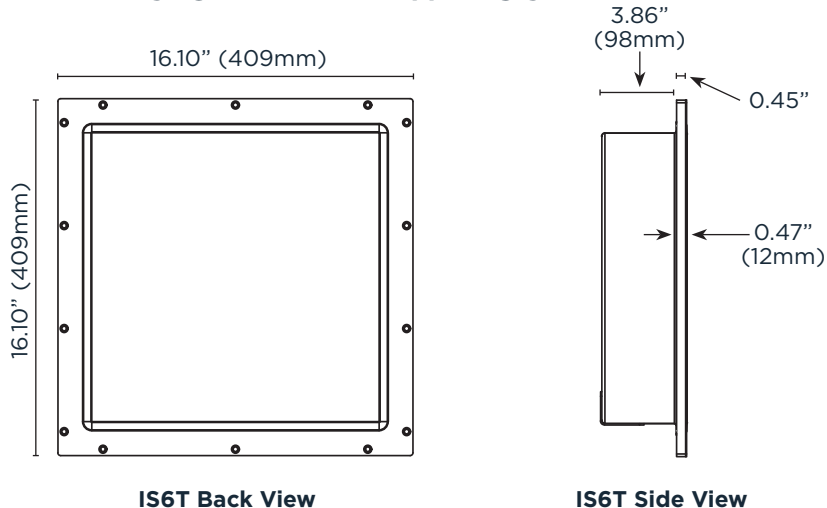
INVISIBLE SERIES DATA SHEET

IS6T SPEAKER

TECHNICAL SPECIFICATIONS

SKU	40198
UOM	Each
Wave Flex Drive Unit	20in ² (127cm ²) bending wave diaphragm, 1.75" (44mm) voice coil
Air Flex Woofer	98in ² (633cm ²) air pulse diaphragm, 6.5in (165mm) carbon fiber woofer
Frequency Response	50Hz-30Hz (+/- 3dB)
Nominal Impedance	4 Ohm
Power Handling (RMS)	100W
Sensitivity (2.83V/1m)	84dB
Working Temperature Range	0° - 125°F (-17.7° - 51.7°C)
Dispersion	170° hemispherical up to 10kHz
Transformer	30W with Sonance Laminated Core Technology
Transformer Taps	Primary Taps (70V): 3.8W, 7.5W, 15W, 30W; (100V): 7.5W, 15W, 30W; 4 Ohm Bypass
Overload Protection	Two Independent Self-Resetting Poly Switches, Safety Agency UL-1480A, UL-2043, CSA-C22.2 No.205, NFPA-70, and NFPA-90A
Product Dimensions (WxHxD)	16.10" x 16.10" x 3.86" (409mm x 409mm x 98mm)
Mounting Depth	3.39" (86mm)

DIMENSIONAL DRAWINGS



OPTIONAL ACCESSORIES

Preconstruction Zip Ring Bracket	93484
Space Saver	93492
DG-1 DISC System Depth Gauge	93491

ASSOCIATED PRODUCTS

INVISIBLE SERIES SPEAKERS

IS10 Speaker	93480
IS8 Speaker	93479
IS6 Speaker	93478

INVISIBLE SERIES WOOFER

IS10W Woofer	93481
--------------	-------

INVISIBLE SERIES COMMERCIAL SPEAKER

IS8T Speaker	40197
--------------	-------

LIMITED FIFTEEN (15) YEAR WARRANTY

Sonance warrants to the first end-user purchaser that this Sonance-brand product ("Product"), when purchased from an authorized Sonance Dealer/Distributor, will be free from defective workmanship and materials for the period stated above. Sonance will at its option and expense during the warranty period, either repair the defect or replace the Product with a new or remanufactured Product or a reasonable equivalent. For more details please refer to the product manual.

©2021 Sonance. All rights reserved. Sonance is a registered trademarks of Dana Innovations. Due to continuous product improvement, all features and specifications are subject to change without notice. For the latest Sonance product specification information visit our website at www.sonance.com.

SONANCE • 991 Calle Amanecer • San Clemente, CA 92673 USA • Phone: (949) 492-7777 • Fax: (949) 361-5151 • Technical Support: (949) 492-7777 • www.sonance.com • 06.08.2021